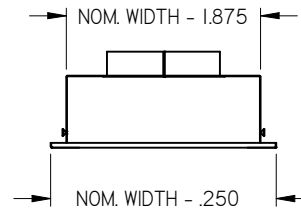
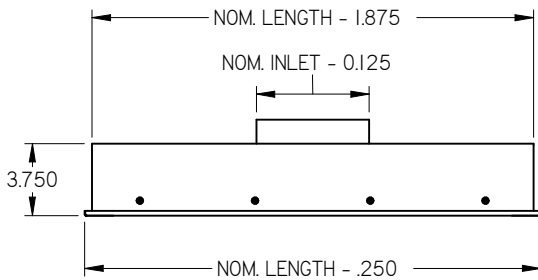
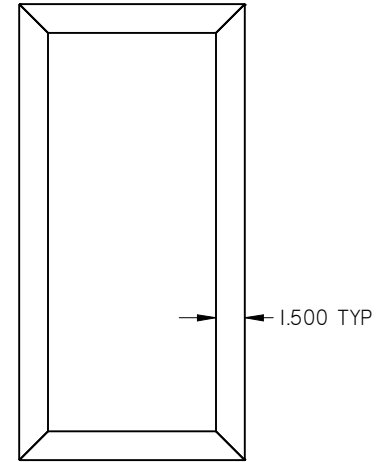
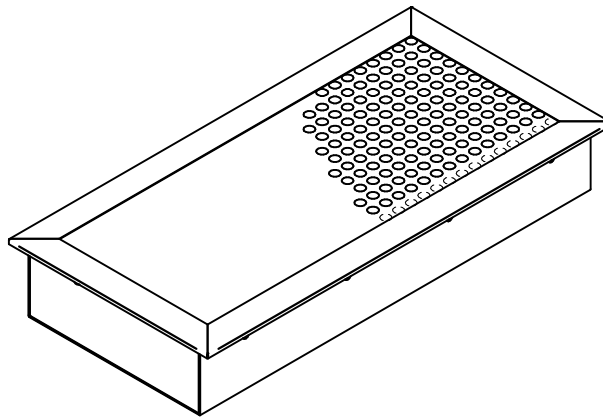


**DFC - DISPLACEMENT FLOW CEILING DIFFUSER**



**STANDARD CONSTRUCTION:**

- PERFORATED FACE - 18 GA. STEEL
- FRAME - 20 GA. STEEL
- PLENUM - 24 GA. STEEL

**NOTES:**

- FACTORY TOLERANCE +/- 1/32" (1)
- ALL UNITS COME WITH INTERNAL BAFFLE

**PROTECTIVE FILM:**

- PROTECTIVE FILM ON FACE & INLET

**FINISH (FACE):**

- F-B12 STANDARD WHITE
- F-B15 GREY
- F-B17 BLACK
- F-B25 BAKED ENAMEL TO MATCH SAMPLE
- F-PC12 PRIME COAT
- F-SPL SPECIAL FINISH

Available Sizes	
NOM. W x L	NOM. INLET
12 x 24 (305 x 610)	6, 8 (152, 203)
24 x 24 (610 x 610)	8, 10 (203, 254)
12 x 48 (305 x 1219)	6, 8 (152, 203)
24 x 48 (610 x 1219)	8, 10 (203, 254)

ALL METRIC DIMENSIONS ( ) ARE SOFT CONVERTED. IMPERIAL DIMENSIONS ARE CONVERTED TO METRIC AND ROUNDED TO THE NEAREST MILLIMETER.

<b>PROJECT:</b>		 <b>NS</b>	<b>DFC</b> DISPLACEMENT FLOW CEILING DIFFUSER
<b>ENGINEER:</b>			
<b>CUSTOMER:</b>		269643	
<b>SUBMITTAL DATE:</b>	<b>SPEC. SYMBOL:</b>	2018/01/15	